



Proliad new products Q4 2019

Never alone; twins with different angles, lenses, colors and power



Over the past months we received questions from light designers, technical departments and customers that we combined into a new solution; twin lighting fixtures.

The questions came from different perspectives: combining bundles with different lenses, different angles or different light colors, yet all positioned closely together. Or the need for less rail fixtures resulting in lower costs. And the need for less rail fixtures in order to save space on the rail or for aesthetic reasons. It's easy to place two twins next to each other and cross bundles. It used to take 4 fixtures instead of 2.

The result is new twins models for AC rail spots, DC rail spots, mono points and our low voltage range.

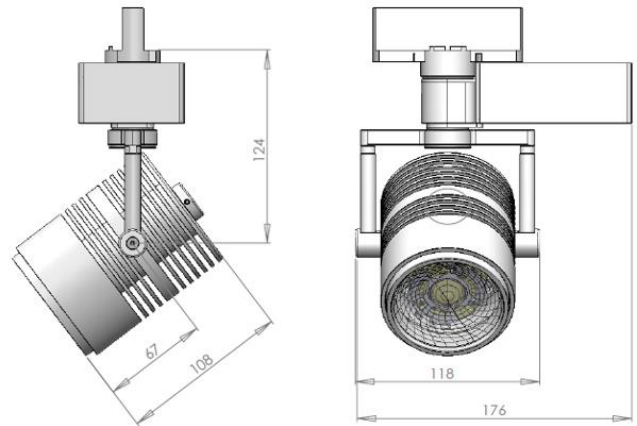


Photo's Annemiek van Velzen



High power extension to the Oil Optic model

Our Oil Optic has a new member, the XL. The XL can deliver up to 4800 lumen at CRI90+ ranges or up to 4000 lumen at CRI95+. As with all of our fixtures we can assemble basically any LED chip or driver into our standard solutions. The XL can carry up to 48W of power and carry on endlessly without overheating or heat trails. The Oil Optic XL is available in AC including onboard driver (0-10V, dali, Bluetooth), in DC and as monopoint.



New models Q4 - 2019, all made in the Netherlands

Take a look our latest releases. Spec sheets are available on our website or on request.



Soraa XL – AC & DC



Acryl XOB – DC



Oil Optic AC Duo



Soraa Mini AC & DC



Acryl XOB – DC



Oil Optic mono Duo



Acryl XOB Duo – DC



Oil Optic XL

